

Zero ZERO – A New Target

Zero ZERO – Lifeline's latest range of fire suppression systems is aimed specifically to meet the needs of the international single seat and sports car user.

Resulting from probably the most extensive development and test programme **Zero ZERO** brings new levels of race car fire protection combined with significantly improved transportation and servicing benefits to meet the needs of our worldwide customers.

Using only 1.5kg of 3M™ Novec 1230™ clean agent extinguishant combined with Lifeline's Compression Discharge technology you are assured of superior results over standard stored pressure systems, as only pure undiluted extinguishing agent is deployed, unlike others that are saturated with Nitrogen thereby reducing efficiency of the agent. **Zero ZERO** system discharge is achieved through specially designed high flow nozzles optimised to suit the Novec™ 1230 product and creating a fire smothering gas cloud in the engine and crew compartments.

Zero ZERO also has the benefit of being a liquid un-pressurised product which means that hazardous goods transportation requirements common to many current extinguisher products can be no longer applicable. To help reduce life cycle costs and down times we have also included provision for teams to carry out refilling operations in-house, subject to training and equipment.

Available with electric or remote pressure discharge activation, all parts are CAD designed for optimum performance.

Each part of every fitting kit has been carefully designed and specified for a professional and simple installation.

- Latest advancement in fire suppression
- Most compact & lightweight systems
- FIA homologated
- Tested on gasoline, ethanol and diesel
- Choice of operation
- Operates in any angle
- Reduced life cycle costs
- Eased transportation requirements
- CAD designed
- Comprehensive installation kits
- Worldwide Lifeline service agents



For more details contact:

Lifeline Fire and Safety Systems Ltd

Burnsall Road Coventry CV5 6BU

Telephone: +44(0)24 7671 2999

Fascimile: +44(0)24 7671 2998

E-mail: sales@lifeline-fire.co.uk

Zero ZERO – designed for the professional

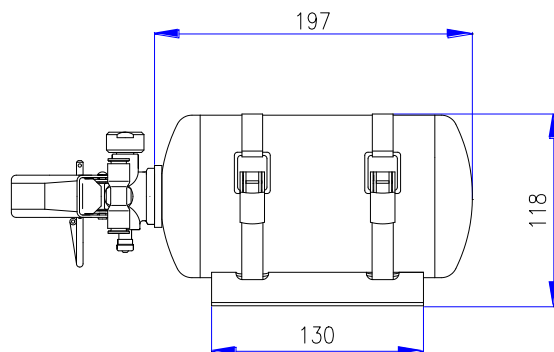
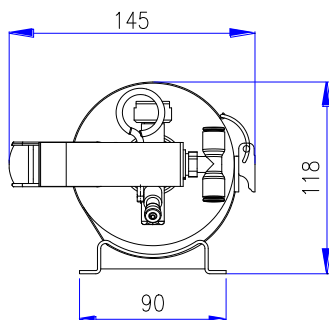
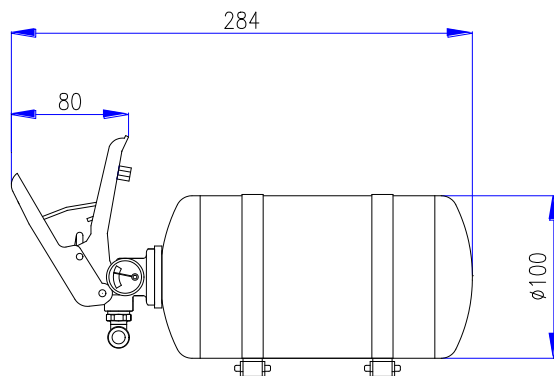
Specifications

Description: Zero **ZERO** FIA 1.5kg Extinguisher Systems
 FIA Homologation: EX.027.08
 Contents: 3M™ Novec™ 1230 Clean Extinguishing Agent
 Cylinder: Aluminium
 Operating Temperatures: -10°C to + 60°C (5° F to 140° F)

Description	Part Number	Cylinder Size (mm)	Weight (kg)
1.5kg Stored Pressure Mechanical	LL104-150-001	284L x 100 Ø	2.39
1.5kg Stored Pressure Electric	LL104-150-002	254L x 100 Ø	2.15
1.5kg Remote Discharge	LL104-150-003	210L x 90 Ø	2.10

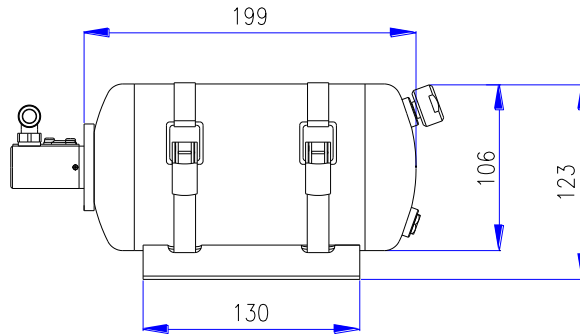
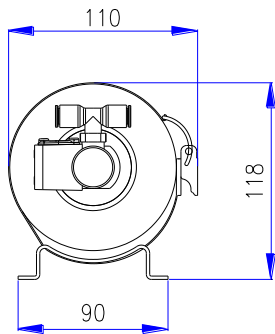
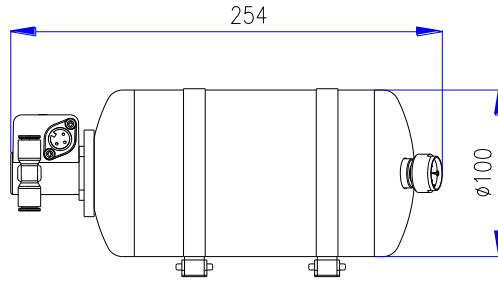
Cylinder Mounting Dimensions

**1.5kg Stored Pressure Mechanical
 LL104-150-001**

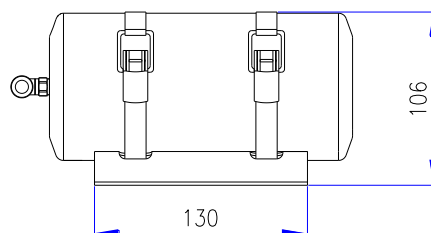
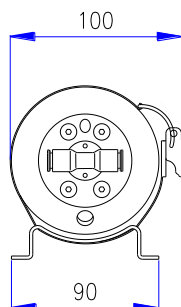
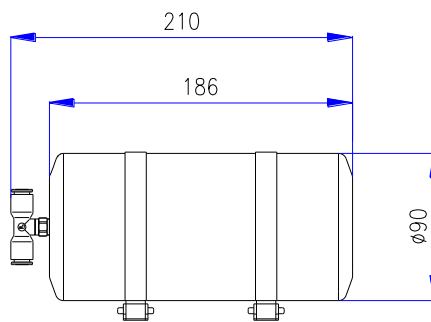




**1.5kg Stored Pressure Electric
LL104-150-002**

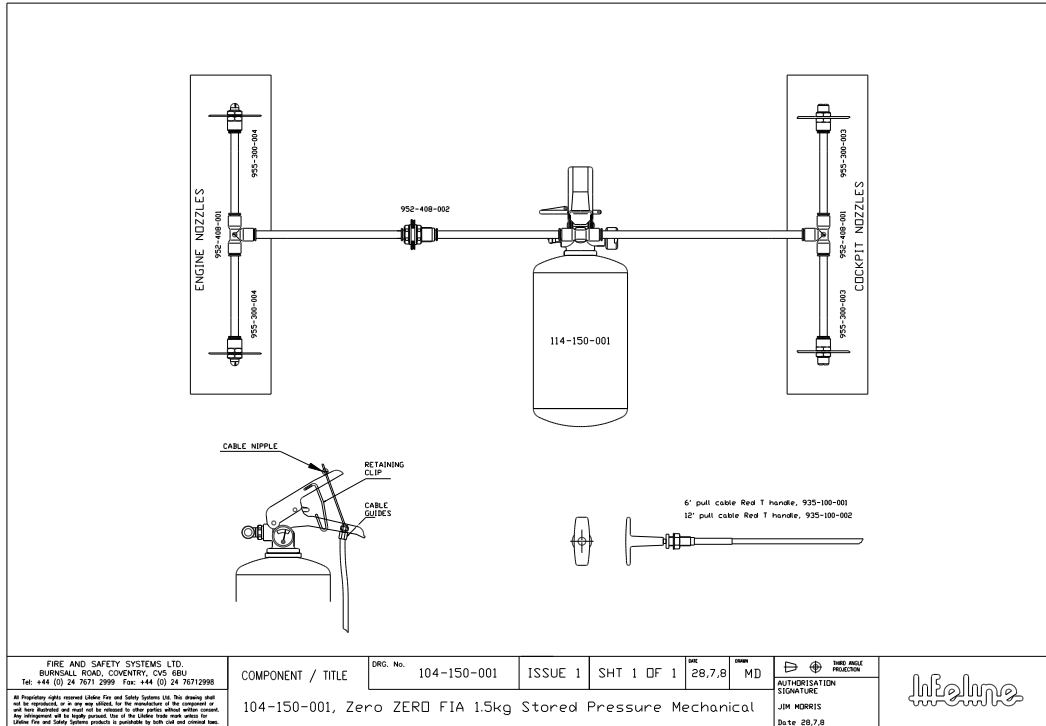


**1.5kg Remote Discharge
LL104-150-003**

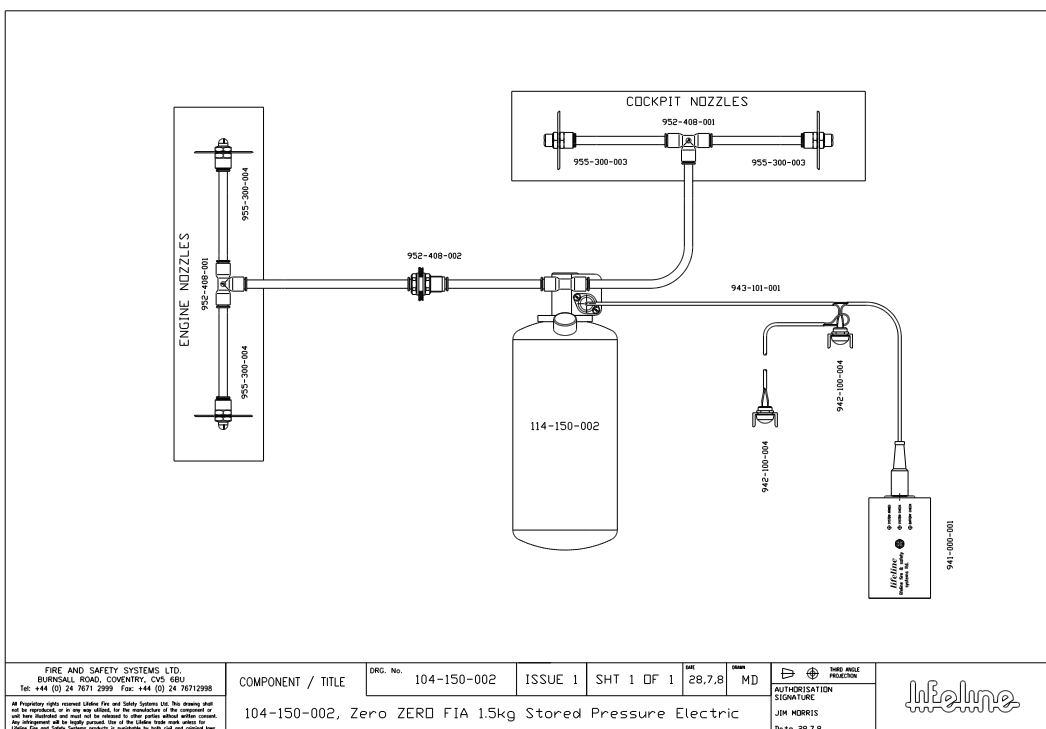


System Installation Schematic Diagrams

1.5kg Stored Pressure Mechanical System



1.5kg Stored Pressure Electric System





Fire and Safety Systems Ltd.



Champions of Safety

1.5kg Remote Discharge System

